

Silicon NPN Power Transistors

BU908

DESCRIPTION

- With TO-3PN package
- High voltage
- High speed switching

APPLICATIONS

- For color TV horizontal deflection circuits.

PINNING

PIN	DESCRIPTION
1	Base
2	Collector;connected to mounting base
3	Emitter

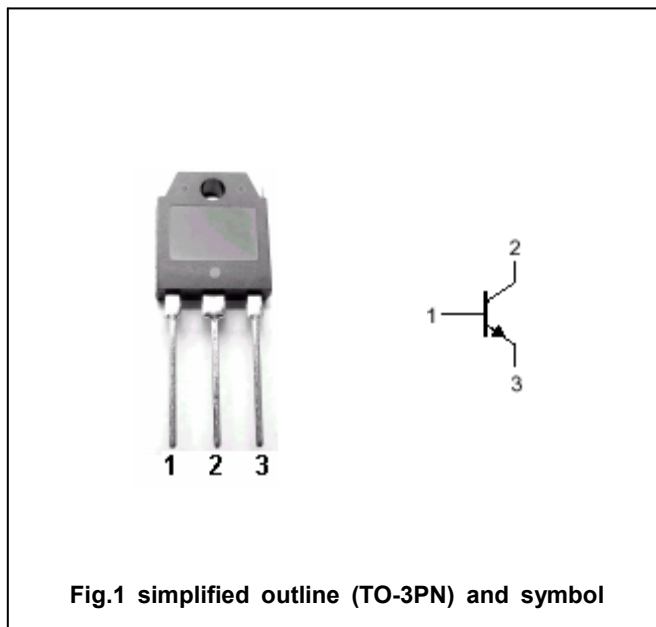


Fig.1 simplified outline (TO-3PN) and symbol

Absolute maximum ratings (Ta=25°C)

SYMBOL	PARAMETER	CONDITIONS	VALUE	UNIT
V _{CBO}	Collector-base voltage	Open emitter	1500	V
V _{CEO}	Collector-emitter voltage	Open base	700	V
V _{EBO}	Emitter-base voltage	Open collector	7	V
I _C	Collector current		8	A
P _T	Total power dissipation	T _C =25°C	125	W
T _j	Junction temperature		150	°C
T _{stg}	Storage temperature		-65~150	°C

THERMAL CHARACTERISTICS

SYMBOL	PARAMETER	MAX	UNIT
R _{th j-c}	Thermal resistance junction case	1.0	°C/W

Silicon NPN Power Transistors

BU908

CHARACTERISTICS

T_j=25°C unless otherwise specified

SYMBOL	PARAMETER	CONDITIONS	MIN	TYP.	MAX	UNIT
V _{CEO(SUS)}	Collector-emitter sustaining voltage	I _C =100mA; I _B =0;	700			V
V _{(BR)EBO}	Emitter-base breakdown voltage	I _E =10mA; I _C =0;	7			V
V _{CEsat}	Collector-emitter saturation voltage	I _C =3.2A; I _B =0.8A			2.0	V
V _{BEsat}	Base-emitter saturation voltage	I _C =3.2A; I _B =0.8A			1.3	V
I _{CBO}	Collector cut-off current	V _{CB} =1500V; I _E =0			1.0	mA
I _{EBO}	Emitter cut-off current	V _{EB} =5V; I _C =0			0.1	mA
h _{FE}	DC current gain	I _C =1.5A ; V _{CE} =5V	8			
f _T	Transition frequency	I _E =0 ; V _{CB} =10V; f=1MHz		7		MHz

Silicon NPN Power Transistors

BU908

PACKAGE OUTLINE

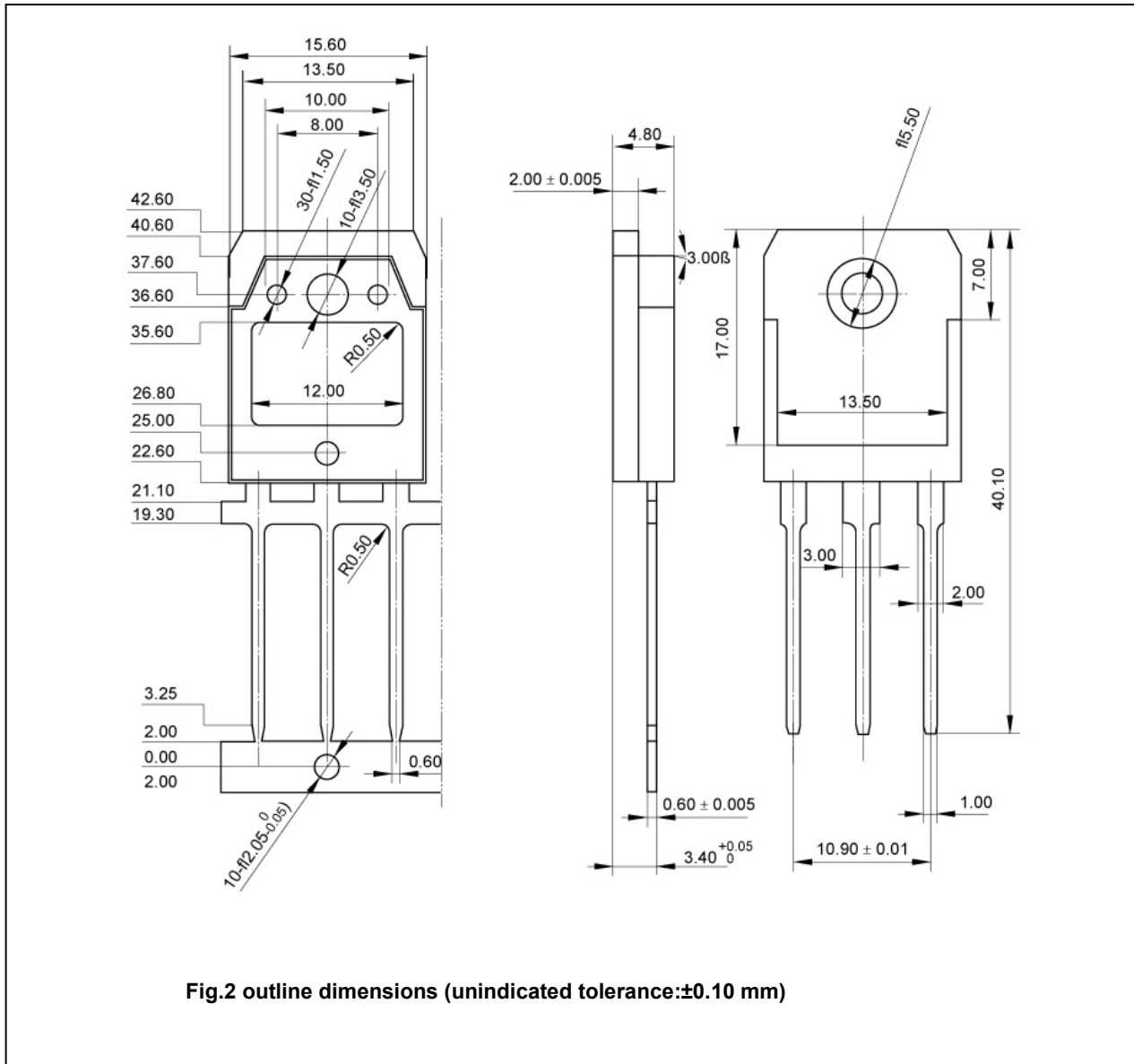


Fig.2 outline dimensions (unindicated tolerance:±0.10 mm)